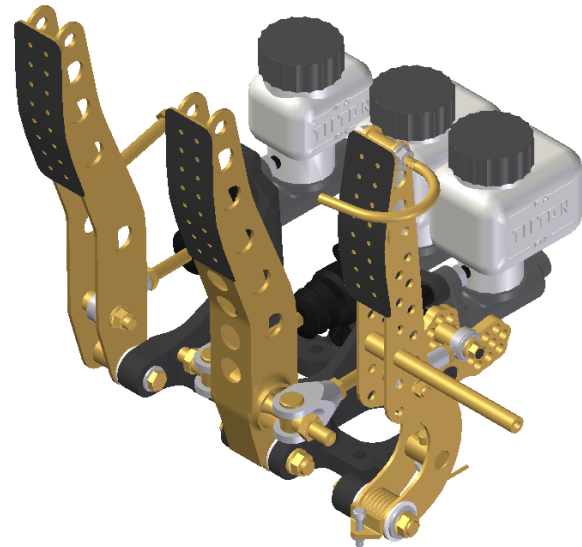
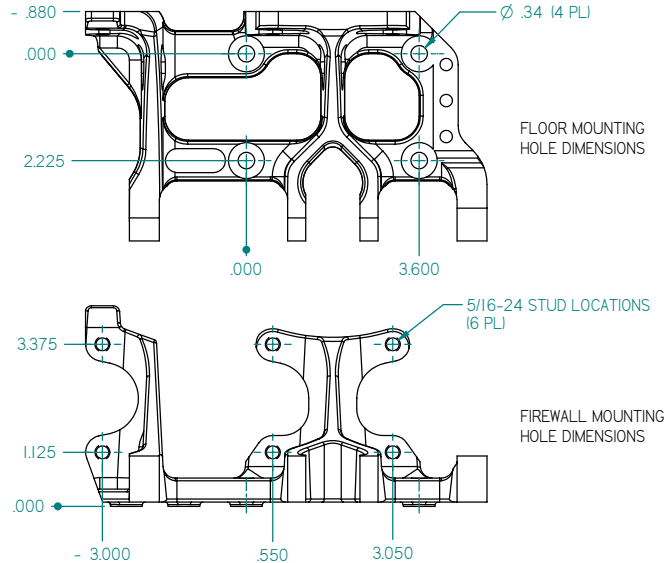


D

C

B

A



- NOTES:
- UNLESS OTHERWISE SPECIFIED DIMENSION ARE IN INCHES.
 - DIMENSIONS ARE NOMINAL.
 - PEDALS ARE IN RELAXED POSITION.
 - MASTER CYLINDERS ARE NOT INCLUDED WITH PEDAL ASSEMBLIES.
 - BALANCE BAR ASSEMBLY INCLUDED WITH PEDALS.

TOLERANCES: UNLESS SPECIFIED OTHERWISE	
DRILL HOLES	
.X ±	.020
.XX ±	.010
.XXX ±	.005
FRACT ±	1/32
ANGLE ±	1/2°
CONC(TIR)	.005
	.013-.040 +.001/-001
	.041-.130 +.002/-001
	.131-.229 +.003/-001
	.230-.500 +.004/-001
	.501-.750 +.005/-001
	.751-1.000 +.007/-001
	1.001-2.000 +.010/-001

MAT'L	TILTON ENGINEERING, INC. (805)688-2353 FAX (805)688-2745		
SPEC	25 EASY STREET P.O. BOX 1787 BUELLTON, CALIFORNIA 93427 USA		
COND	TITLE: FLOOR MOUNT PEDAL ASSEMBLY W/ THROTTLE WITH STEEL BRAKE, CLUTCH AND THROTTLE PEDALS		
HARD	DRN BY Puckett	CHK'D	SCALE: NONE
FINISH	P/N	DATE 11/13/03	DWG 4702
SPEC		SHEET 1 OF 1	

*This document contains proprietary information of TILTON ENGINEERING, INC. and its receipt or possession does not convey the rights to reproduce, disclose its contents, or to manufacture, use or sell anything it may describe. Reproduction, disclosure, or use without specific written authorization of TILTON ENGINEERING, INC. is strictly forbidden.

TILTON ENGINEERING
INC.